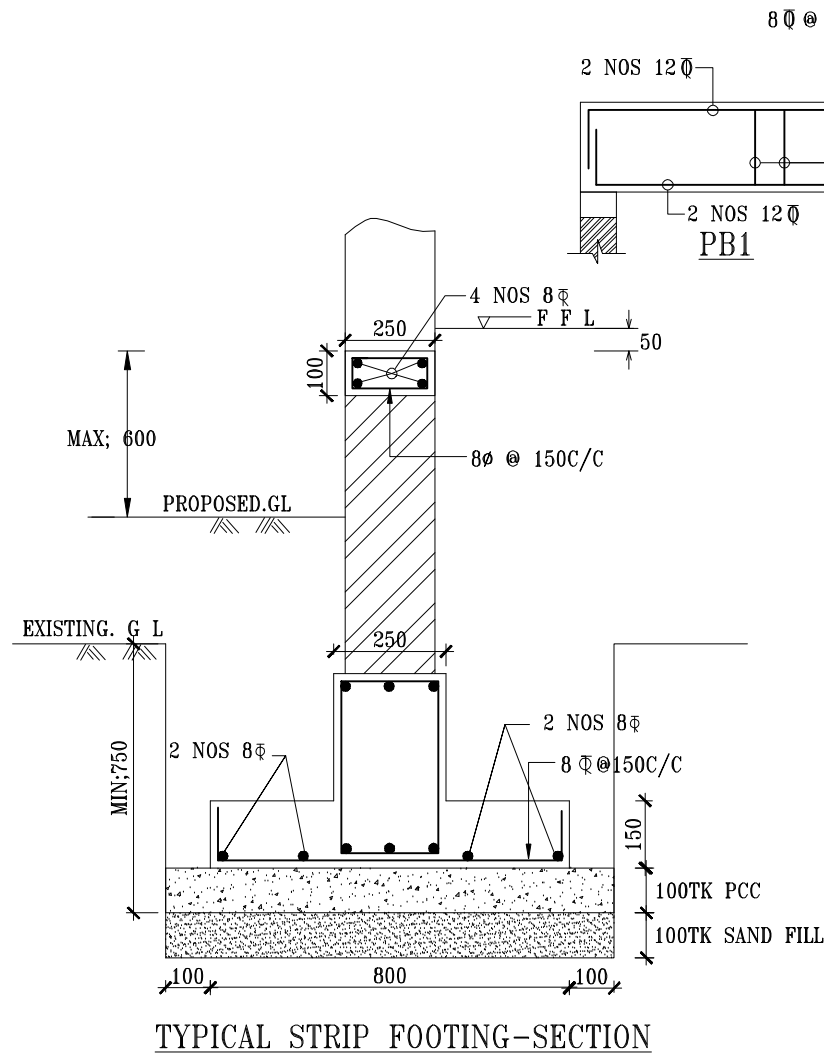
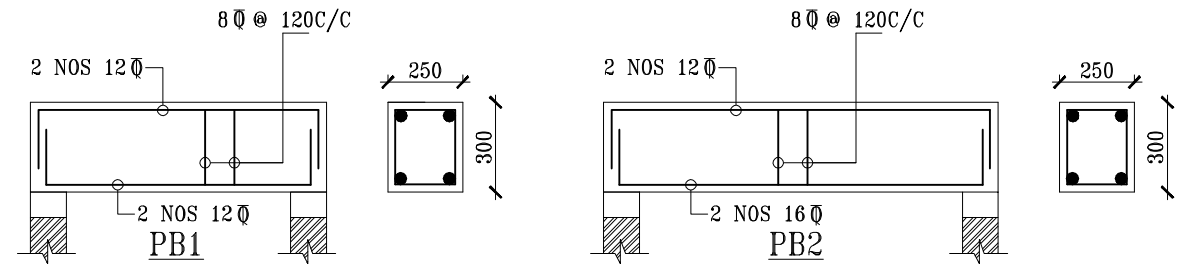


FOUNDATION LAYOUT



TYPICAL STRIP FOOTING-SECTION



BED BLOCK DETAILS

NOTES

- \*ALL DIMENSIONS ARE IN MILLIMETRES UNLESS SPECIFIED OTHERWISE.
- \*DIMENSIONS SHALL NOT BE SCALED OFF THIS DRAWING
- \*WHEN IN DOUBT, DONT MEASURE THE DRAWING, DON'T ASSUME ANY THING BUT ASK US(0484) 2203098
- \*STEEL GRADE Fe 500 FOR ALL BARS
- \*ALL LAPS ARE 55 TIMES DIA OF BAR
- \*CLEAR COVER 50mm FOR ALL BARS IN FOUNDATION
- \*FOR CENTRELINE DIMENSIONS REFER ARCHITECTURAL DRAWINGS ONLY.
- \*CONCRETE MIX M 25 FOR FOUNDATION
- \*AT JUNCTION OF TWO ELEMENTS OF DIFFERENT CONCRETE MIXES THE COMMON CONCRETE SHALL BE DONE WITH THE RICHER MIX.
- \*CONCRETE MUST BE MACHINE MIXED.
- \*MAXIMUM WATER / CEMENT RATIO USED SHALL BE LIMITED TO 0.50 FOR SLABS AND 0.50 FOR BEAMS AND COLUMNS
- \*CHIPPING OF ANY STRUCTURAL CONCRETE ELEMENTS SHALL NOT BE DONE IN ANY CIR CUM STANCES UNLESS WITH THE SPECIAL PERMISSION OF CONSULTANTS
- \*ALL COVER SHALL BE ENSURED BY PRECAST COVER BLOCKS MADEUP CM 1:3
- \*DRAWINGS WILL BE ISSUED IN DIGITAL FORM / HARD COPIES FOR REVIEW / TENDER / ESTIMATE PURPOSES. HOWEVER ONLY HARD COPIES SEALED / SIGNED BY THE DESIGNER SHALL BE USED FOR THE CONSTRUCTION.
- \*EVERY CONCRETE POUR AT SITE SHOULD BE DONE ONLY AFTER CONTRACTOR'S AUTHORISED QUALITY CONTROL ENGINEER/SITE ENGINEER INSPECT THE SHUTTER & STAGING AND CERTIFY THE SAFETY OF THE SAME IN SITE INSTRUCTION.
- \*FOUNDATION IS DESIGNED FOR G+1 FLOORS

	C1	C2	C3
MIX: M25	 4 NOS 8Φ 8Φ @ 200c/c	 6 NOS 16Φ 8Φ @ 200c/c	 6 NOS 16Φ 8Φ @ 200c/c