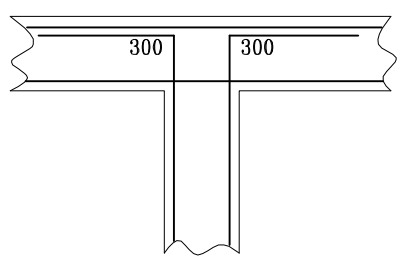
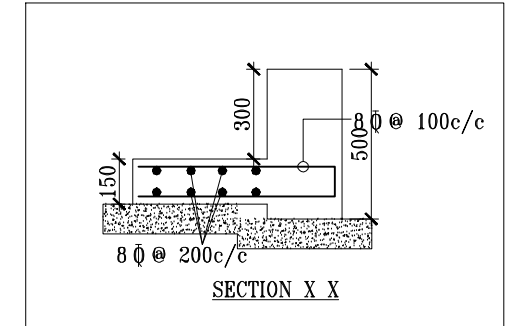


PLINTH BEAM DETAILS

NOTES

- * ALL DIMENSIONS ARE IN MILLIMETRES UNLESS SPECIFIED OTHERWISE.
- * DIMENSIONS SHALL NOT BE SCALED OFF THIS DRAWING
- * WHEN IN DOUBT, DON'T MEASURE THE DRAWING, DON'T ASSUME ANY THING BUT ASK US(0484) 2203098
- * STEEL GRADE Fe 500 FOR ALL BARS
- * ALL LAPS ARE 50 TIMES DIA OF BAR
- * CLEAR COVER 50mm FOR ALL BARS IN PLINTH BEAM
- * FOR CENTRELIN DIMENSIONS REFER ARCHITECTURAL DRAWINGS ONLY.
- * CONCRETE MIX M 25 FOR PLINTH BEAM
- * CHIPPING OF ANY STRUCTURAL CONCRETE ELEMENTS SHALL NOT BE DONE IN ANY CIRCUMSTANCES UNLESS WITH THE SPECIAL PERMISSION OF CONSULTANTS
- * ALL COVER SHALL BE ENSURED BY PRECAST COVER BLOCKS MADE UP CM 1:3
- * ALL CENTRELIN DIMENSIONS SHOULD BE CHECKED WITH CORRESPONDING ARCHITECTURAL DRAWING
- *DRAWINGS WILL BE ISSUED IN DIGITAL FORM / HARD COPIES FOR REVIEW / TENDER / ESTIMATE PURPOSES. HOWEVER ONLY HARD COPIES SEALED / SIGNED BY THE DESIGNER SHALL BE USED FOR THE CONSTRUCTION.
- *EVERY CONCRETE POUR AT SITE SHOULD BE DONE ONLY AFTER CONTRACTOR'S AUTHORISED QUALITY CONTROL ENGINEER/SITE ENGINEER INSPECT THE SHUTTER & STAGING AND CERTIFY THE SAFETY OF THE SAME IN SITE INSTRUCTION.



DETAIL-A