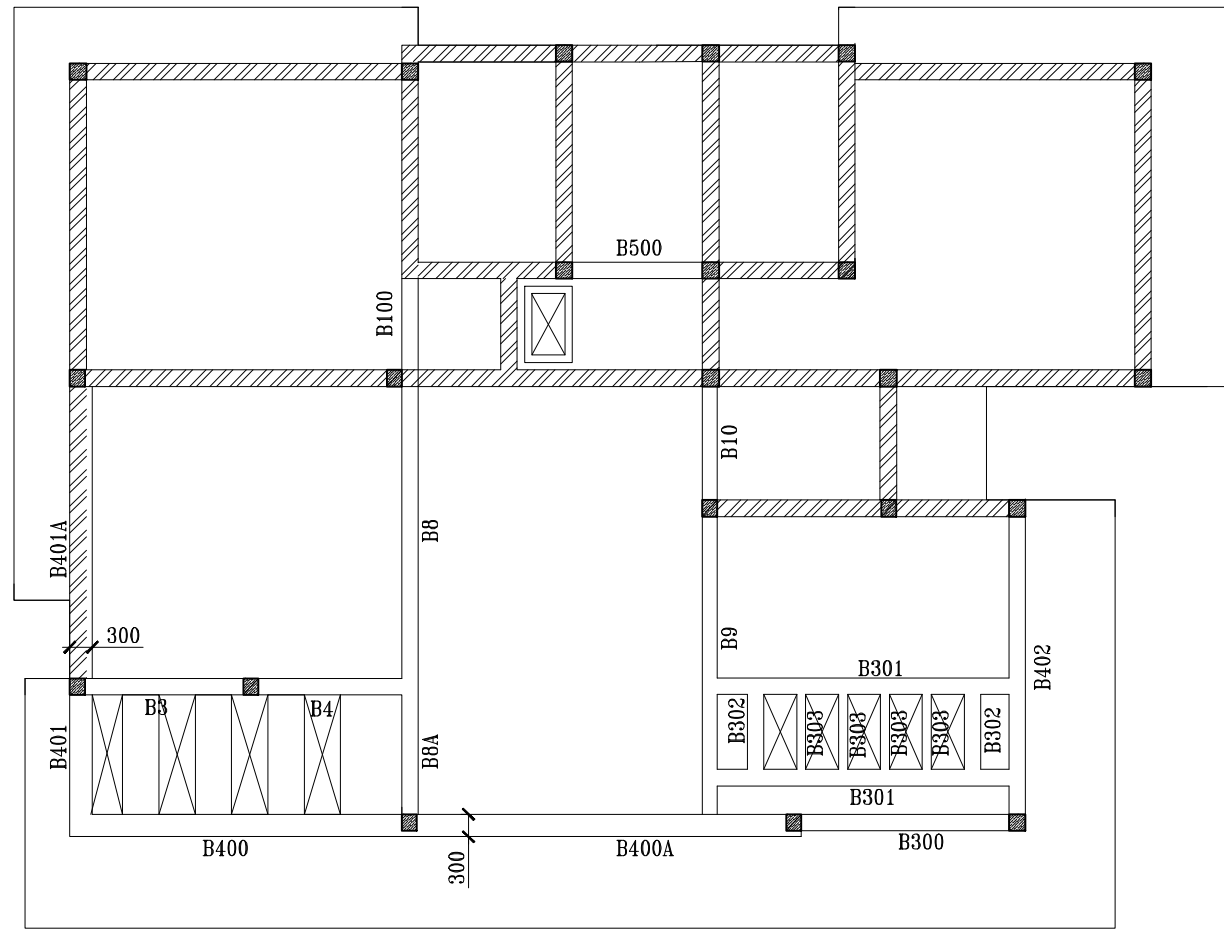
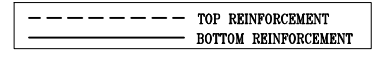
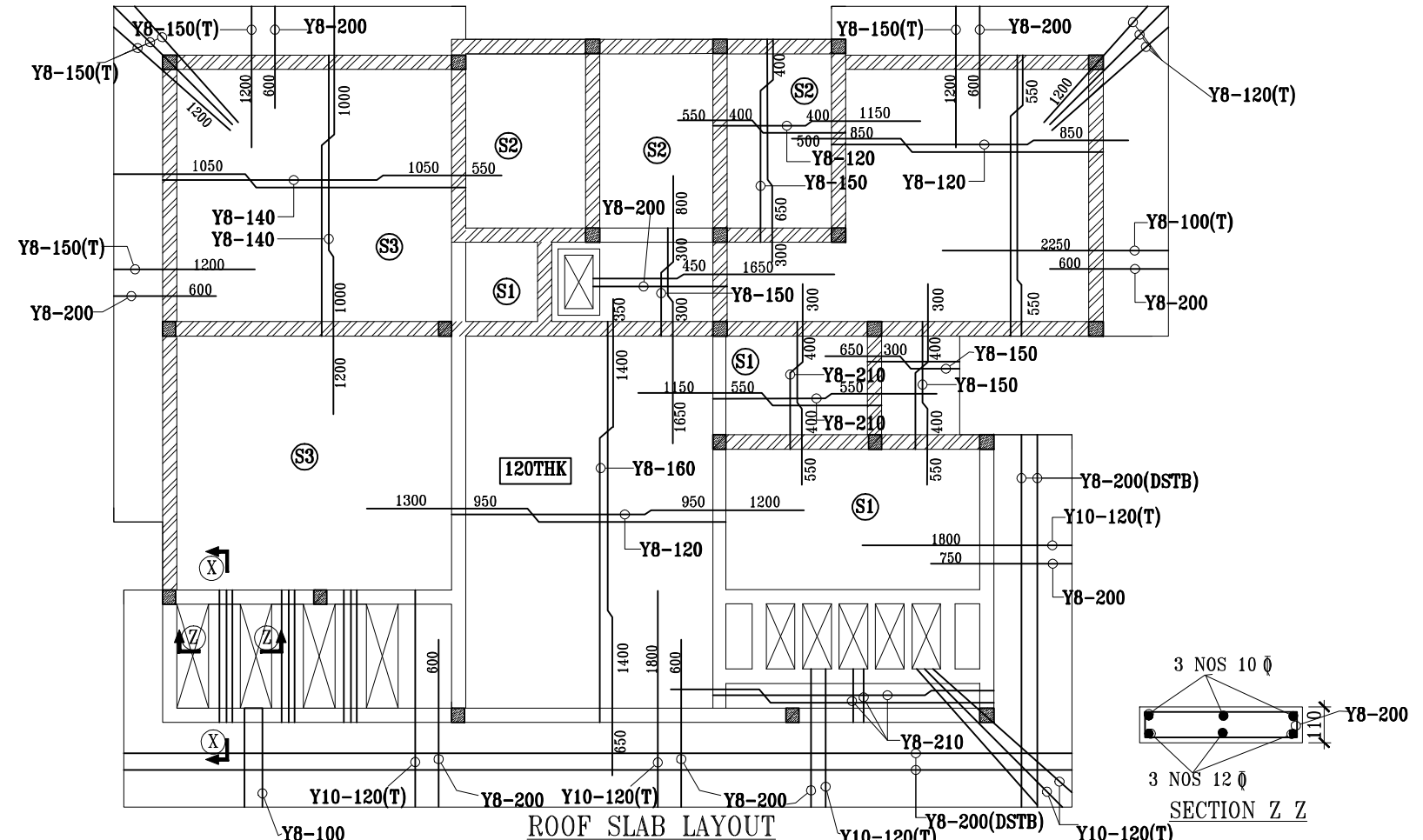


SECTION X X

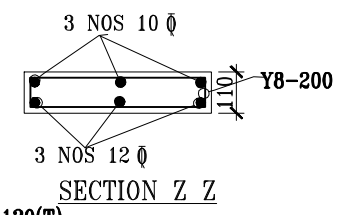
- NOTES**
- *DRAWINGS WILL BE ISSUED IN DIGITAL FORM / HARD COPIES FOR REVIEW / TENDER / ESTIMATE PURPOSES. HOWEVER ONLY HARD COPIES SEALED & SIGNED BY THE DESIGNER SHALL BE USED FOR THE CONSTRUCTION.
 - *ALL DIMENSIONS ARE IN MILLIMETRES UNLESS SPECIFIED OTHERWISE.
 - *DIMENSIONS SHALL NOT BE SCALED OFF THIS DRAWING
 - WHEN IN DOUBT, DONT MEASURE THE DRAWING, DON'T ASSUME ANY THING BUT ASK US(0484)2203098
 - *STEEL GRADE Fe 500 FOR ALL BARS
 - *ALL LAPS ARE 55 TIMES DIA OF BAR
 - *CLEAR COVER 15mm FOR SLABS.
 - *FOR CENTRELINE DIMENSIONS REFER ARCHITECTURAL DRAWINGS ONLY.
 - *CONCRETE MIX M 30 FOR BEAMS\SLABS
 - *AT JUNCTION OF TWO ELEMENTS OF DIFFERENT CONCRETE MIXES THE COMMON
 - *CONCRETE SHALL BE DONE WITH THE RICHER MIX.
 - *THIS FLOOR IS DESIGNED FOR A LIVELOAD OF 2 kN/sqm
 - *MAXIMUM WATER / CEMENT RATIO USED SHALL BE LIMITED TO 0.50 FOR SLABS AND 0.55 FOR BEAMS & COLUMNS
 - *CHIPPING OF ANY STRUCTURAL CONCRETE ELEMENTS SHALL NOT BE DONE IN ANY CIRCUMSTANCES UNLESS WITH THE SPECIAL PERMISSION OF CONSULTANTS
 - *DISTRIBUTORS 8 BARS@300C/C SHALL BE PROVIDED WHERE EVER NECESSARY UNLESS SPECIFIED OTHERWISE
 - *ALLTOP BARS SHALL BE SUPPORTED WITH CHAIRS OF 10mm BARS@1000mmC/C
 - *ALL COVER SHALL BE ENSURED BY PRE CAST COVER BLOCKS MADEUP OF CM 1:3 AND DIP CURED FOR 7 DAYS WHICH SHALL HAVE EMBEDDED BINDING WIRES FOR TYING THEM
 - *FOR SLABS ALTERNATE BARS SHALL BE CRANKED UP AT 1/5th SPAN UNLESS SPECIFIED
 - *TYPICAL STIRRUP DETAILING SHALL BE AS SHOWN HERE
 - *FOR SLABS CONTINUOUS SUPPORTS ALL CRANKED UP BARS SHALL EXTEND IN TO NEXT SPAN 1/5th OF THAT SPAN UNLESS SPECIFIED
 - *FOR A BEAM WITH STIRRUP SPACING NOTATION 8 @ a TO b mm c/c MEANS FOR 1/3rd SPAN NEAR SUPPORTS, SPACING IS a mm c/c AND MIDDLE 1/3rd SPAN SPACING IS b mm c/c
 - *EVERY CONCRETE POUR AT SITE SHOULD BE DONE ONLY AFTER CONTRACTOR'S AUTHORISED QUALITY CONTROL ENGINEER/SITE ENGINEER INSPECT THE SHUTTER & STAGING AND CERTIFY THE SAFETY OF THE SAME IN THE SITE INSTRUCTION BOOK.
 - * THE FORMWORK AND FORMWORK SUPPORTS SHOULD BE DESIGNED AND PROVIDED BY THE CONTRACTOR TO CARRY SELFWEIGHT OF WET CONCRETE (@ 26KN/Cum), CONSTRUCTION LIVE LOAD OF 3.6 KN/Sqm AND SELFWEIGHT OF FORMWORK.
 - * THE FORMWORK SHALL BE CHECKED & VERIFIED BY THE SITE ENGINEER BEFORE CASTING CONCRETE.



ROOF BEAM LAYOUT



ROOF SLAB LAYOUT
SLAB THICKNESS IS 110mm UNLESS OTHERWISE SPECIFIED



SECTION Z Z